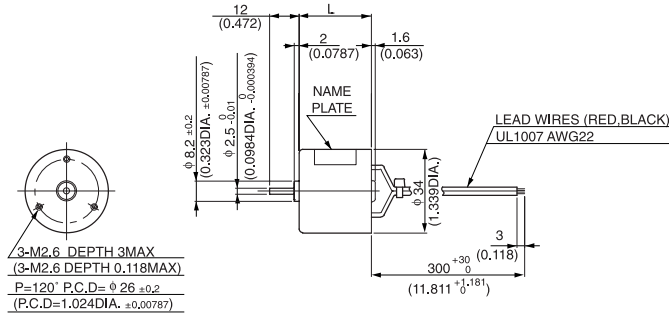


DME34

MODEL CODE	VOLTAGE	OUTPUT	CURRENT
SA	12V	1.3W	0.2A
SB	24V	1.3W	0.1A
BA	12V	4.5W	0.65A
BB	24V	4.5W	0.31A
KB	24V	7W	0.41A

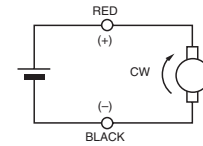


● DIMENSIONS Unit mm(inch)



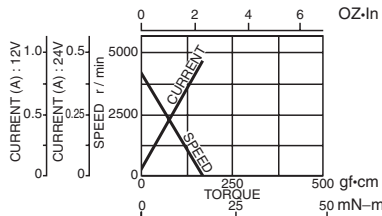
Model	L	Weight	
		g	lb
DME34SA	29.5	100	0.22
DME34SB	29.5	100	0.22
DME34BA	35.0	110	0.24
DME34BB	35.0	110	0.24
DME34KB	45	140	0.31

● CONNECTION

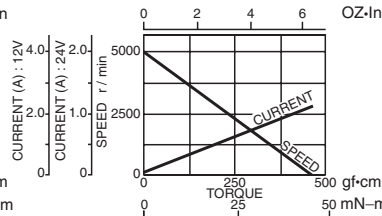


● CURRENT, SPEED-TORQUE CURVE

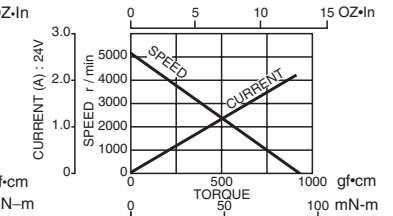
DME34SA, DME34SB



DME34BA, DME34BB



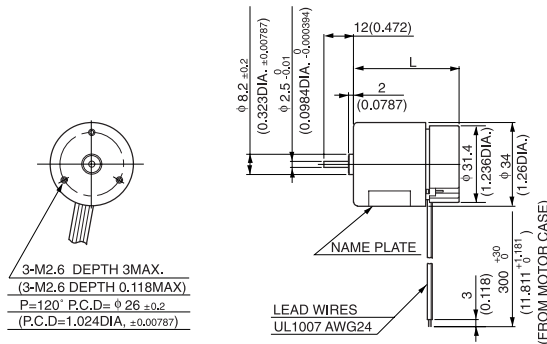
DME34KB



● STANDARD SPECIFICATIONS

Model	Rated					No load		Stall torque		
	Output W	Voltage V	Torque		Current A	Speed r/min	Current A	Speed r/min	mN-m	oz-in
			mN-m	oz-in						
DME34SA	1.3	12	3.9	0.56	0.2	3300	0.04	4300	17	2.36
DME34SB	1.3	24	3.9	0.56	0.1	3300	0.02	4300	17	2.36
DME34BA	4.5	12	11.8	1.67	0.65	3700	0.07	5000	45	6.39
DME34BB	4.5	24	11.8	1.67	0.31	3700	0.04	5000	45	6.39
DME34KB	7	24	14.7	2.08	0.41	4300	0.06	5100	92	13.03

● REVOLUTION SENSOR MAGNET TYPE

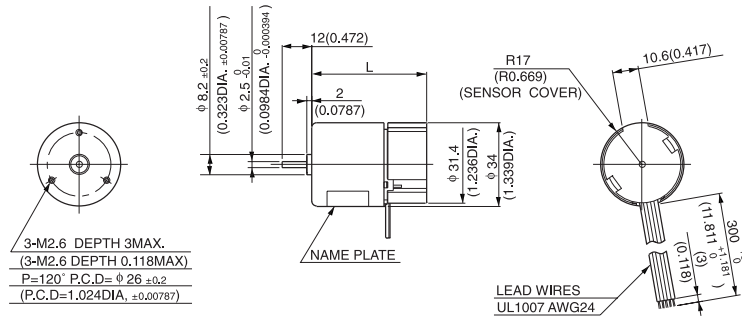


Model	L	Weight	
		g	lb
DME34SMA	43.1	110	0.24
DME34SMB	43.1	110	0.24
DME34BMA	48.6	120	0.26
DME34BMB	48.6	120	0.26
DME34KMB	58.6	150	0.33

DME34

MODEL CODE	VOLTAGE	OUTPUT	CURRENT
SA	12V	1.3W	0.2A
SB	24V	1.3W	0.1A
BA	12V	4.5W	0.65A
BB	24V	4.5W	0.31A
KB	24V	7W	0.41A

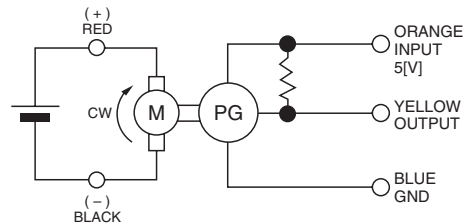
● REVOLUTION SENSOR OPTICAL TYPE



Model	L	Weight	
		g	lb
DME34SEA	47.1	120	0.26
DME34SEB			
DME34BEA	52.6	130	0.29
DME34BEB			
DME34KEB	62.6	160	0.35

● CONNECTION OF REVOLUTION SENSOR

DME34SMA, DME34SMB, DME34BMA, DME34BMB
DME34SEA, DME34SEB, DME34BEA, DME34BEB



● SPECIFICATION OF REVOLUTION SENSOR ARE SHOWN ON PAGE 8.

WITH GEARBOX
36G

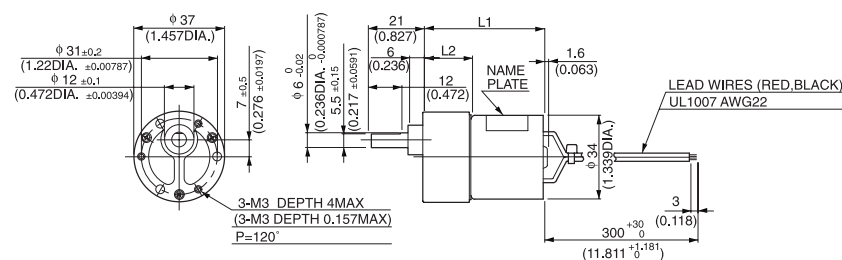
Gear heads for
intermittent drive



36G

● DIMENSIONS Unit mm(inch)

DME34S36G

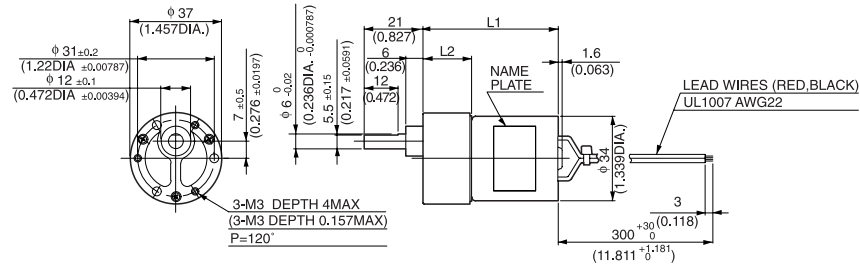


GEAR RATIO	L1		L2		WEIGHT	
	(mm)	(inch)	(mm)	(inch)	g	lb
10	49.3	1.941	19.8	0.78	200	0.44
18~30	51.8	2.039	22.3	0.878		
50~100	54.3	2.138	24.8	0.976		
120~300	56.8	2.236	27.3	1.075	220	0.49
400~600	59.3	2.335	29.8	1.173		

WITH GEARBOX
36G

Gear heads for
intermittent drive

DME34B36G



GEAR RATIO	L1		L2		WEIGHT	
	(mm)	(inch)	(mm)	(inch)	g	lb
10	54.8	2.157	19.8	0.78	210	0.46
18-30	57.3	2.256	22.3	0.878		
50-100	59.8	2.354	24.8	0.976		
120-300	62.6	2.465	27.3	1.075	230	0.51
400-600	64.8	2.551	29.8	1.173		

● with 36G TYPE GEARBOX

Model	Gear ratio		10	*18	*20	*30	50	60	75	100	*120	*150	*180
	Rated speed	r/min	330	183	165	110	66	55	44	33	27.5	22	18.6
DME34S36G □ ☆	Rated torque	N·m	0.031	0.052	0.06	0.09	0.12	0.14	0.18	0.25	0.27	0.34	0.39
		oz·in	4.44	7.22	8.33	12.50	18.05	20.83	26.39	36.11	38.88	48.61	55.55
DME34B36G □ ☆	Rated speed	r/min	370	205	185	123	74	65	54.9	43.4	36.5	30	25.5
		Rated torque	N·m	0.095	0.14	0.16	0.25	0.38	0.39	0.39	0.39	0.39	0.39
		oz·in	13.47	20.83	23.61	36.11	54.16	55.55	55.55	55.55	55.55	55.55	55.55
Model	Gear ratio		*200	*250	*300	400	500	600					
	Rated speed	r/min	17.2	14.5	12.4	9.5	7.8	6.6					
DME34S36G □ ☆	Rated torque	N·m	0.39	0.39	0.39	0.39	0.39	0.39					
		oz·in	55.55	55.55	55.55	55.55	55.55	55.55					
DME34B36G □ ☆	Rated speed	r/min	23.1	18.8	15.8	12	9.6	8.1					
		Rated torque	N·m	0.39	0.39	0.39	0.39	0.39	0.39				
		oz·in	55.55	55.55	55.55	55.55	55.55	55.55					

NOTE 1: Enter the required reduction ratio in the □.
 2: *Rotation of gearbox shaft is in reverse of rotation of motor.
 3: Enter the required voltage A or B in the ☆.

DME34

WITH GEARBOX

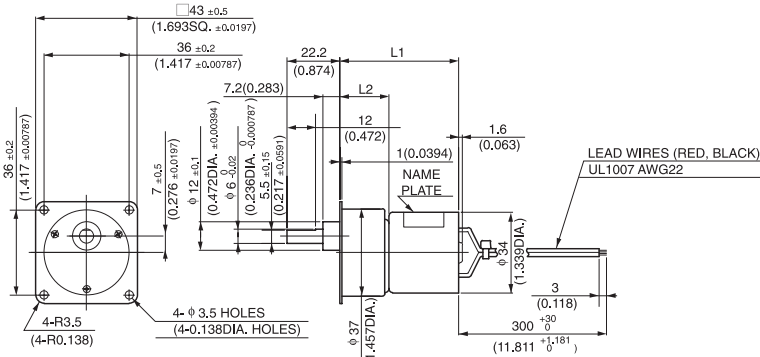
43G

Gear heads for
intermittent drive



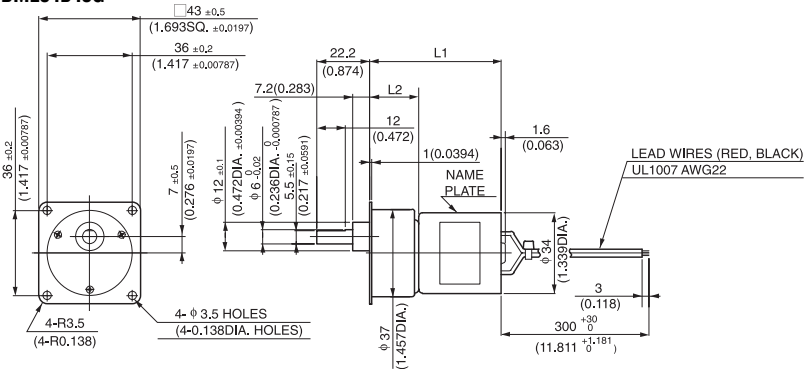
43G

● DIMENSIONS Unit mm(inch)
DME34S43G



GEAR RATIO	L1		L2		WEIGHT	
	(mm)	(inch)	(mm)	(inch)	g	lb
10	47.8	1.882	18.3	0.720	200	0.44
18~30	50.3	1.980	20.8	0.819		
50~100	52.8	2.079	23.3	0.917		
120~300	55.3	2.177	25.8	1.016		
400~600	57.8	2.276	28.3	1.114		

DME34B43G



GEAR RATIO	L1		L2		WEIGHT	
	(mm)	(inch)	(mm)	(inch)	g	lb
10	53.3	2.098	18.3	0.720	210	0.46
18~30	55.8	2.197	20.8	0.819		
50~100	58.3	2.295	23.3	0.917		
120~300	60.8	2.394	25.8	1.016		
400~600	63.3	2.492	28.3	1.114		

DME34

MODEL CODE	VOLTAGE	OUTPUT	CURRENT
SA	12V	1.3W	0.2A
SB	24V	1.3W	0.1A
BA	12V	4.5W	0.65A
BB	24V	4.5W	0.31A
KB	24V	7W	0.41A

WITH GEARBOX

L

Gear heads for intermittent drive

●with L TYPE GEARBOX

Model	Gear ratio		30	50	120	150	200	255
	Rated speed	r/min	110	66	27	22	16	13
DME34SL□☆	Rated torque	N·m	0.07	0.11	0.28	0.34	0.46	0.59
		oz·in	9.72	15.28	38.88	48.61	65.27	83.32
DME34BL□☆	Rated speed	r/min	123	74	30.8	25.1	20.4	16.8
		Rated torque	N·m	0.21	0.34	0.83	0.98	0.98
	oz·in		29.16	48.61	118.04	138.87	138.87	138.87
DME34KL□B	Rated speed	r/min	143	86.0	36.2	30.0	23.2	18.6
		Rated torque	N·m	0.26	0.43	0.98	0.98	0.98
	oz·in		36.81	60.88	138.87	138.87	138.87	138.87

NOTE 1: Enter the required reduction ratio in the □.
 2: *Rotation of gearbox shaft is in reverse of rotation of motor.
 3: Enter the required voltage A or B in the ☆.

WITH GEARBOX

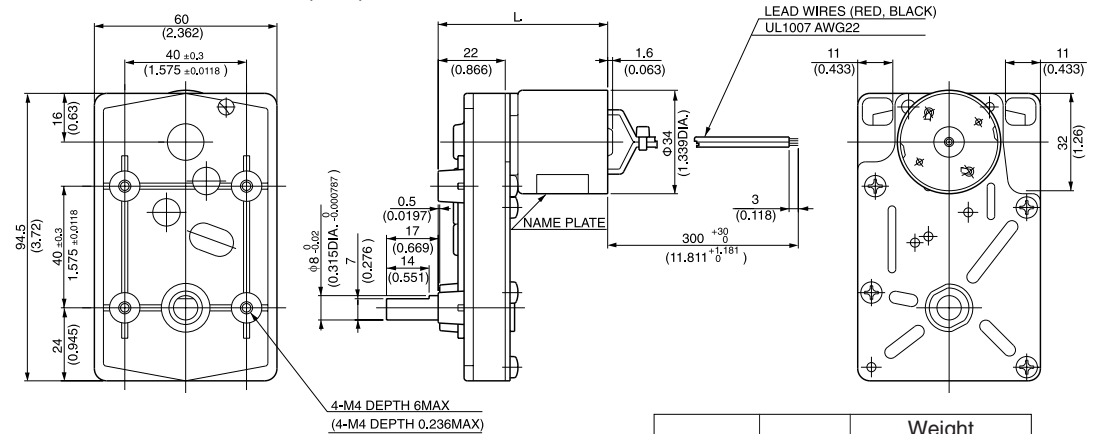
5C

Gear heads for intermittent drive



5C

●DIMENSIONS Unit mm(inch)



Model	L	Weight	
		g	lb
DME34S5C	55.7	310	0.68
DME34B5C	61.2	320	0.71
DME34K5C	71.2	350	0.77

●with 5C TYPE GEARBOX

Model	Gear ratio		*20	*30	*40	*50	*60	*80	*100	*150	200	250
	Rated speed	r/min	165	110	82.5	66	55	41.2	33	22	16.5	13.2
DME34S5C□☆	Rated torque	N·m	0.057	0.085	0.11	0.14	0.17	0.23	0.28	0.42	0.51	0.64
		oz·in	8.05	12.08	15.28	19.44	23.61	31.94	40.27	59.71	72.21	90.27
DME34B5C□☆	Rated speed	r/min	185	123	92.5	74	61.6	46.2	37	26.7	20.8	17.3
		Rated torque	N·m	0.17	0.25	0.34	0.42	0.51	0.69	0.85	0.98	0.98
	oz·in		23.61	36.11	48.61	59.71	72.21	97.21	120.82	138.87	138.87	138.87
DME34K5C□B	Rated speed	r/min	215	143	107	86.0	71.6	53.7	43.7	30.7	23.4	19.1
		Rated torque	N·m	0.21	0.32	0.43	0.53	0.64	0.85	0.98	0.98	0.98
	oz·in		29.73	45.31	60.88	75.04	90.62	120.35	138.87	138.87	138.87	138.87

Model	Gear ratio		300	400	500
	Rated speed	r/min	11	8.3	7
DME34S5C□☆	Rated torque	N·m	0.77	0.98	0.98
		oz·in	108.32	138.87	138.87
DME34B5C□☆	Rated speed	r/min	14.8	11.4	9.3
		Rated torque	N·m	0.98	0.98
	oz·in		138.87	138.87	138.87
DME34K5C□B	Rated speed	r/min	16.1	12.2	9.87
		Rated torque	N·m	0.98	0.98
	oz·in		138.87	138.87	138.87

NOTE 1: Enter the required reduction ratio in the □.
 2: *Rotation of gearbox shaft is in reverse of rotation of motor.
 3: Enter the required voltage A or B in the ☆.

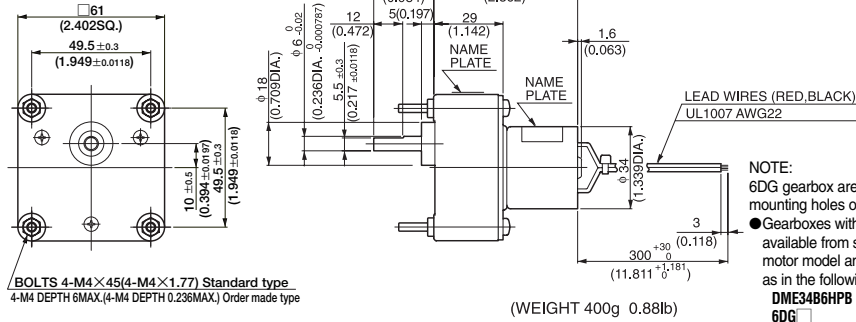
WITH GEARBOX 6DG



6DG

● DIMENSIONS Unit mm(inch)

DME34S6DG



BOLTS 4-M4×45(4-M4×1.77) Standard type
4-M4 DEPTH 6MAX.(4-M4 DEPTH 0.236MAX.) Order made type

(WEIGHT 400g 0.88lb)

NOTE:

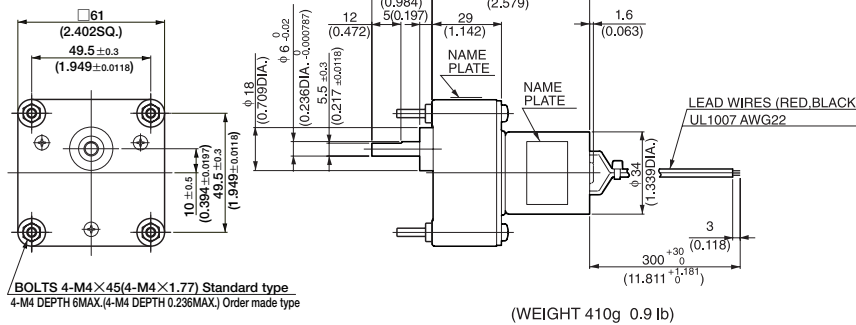
6DG gearbox are available with either 4.5mm diameter mounting holes or M4 x 6mm tapped holes.

● Gearboxes with 4.5mm diameter mounting holes are available from stock. When ordering, please write the motor model and gearbox model numbers separately, as in the following example:

DME34B6HPB (Pinion shaft motor)
6DG (Gearbox)

● Gearboxes with M4 x 6mm tapped mounting holes are available on request. When ordering, please write the combine motor and gearbox model, as in the following example : DME34B6H

DME34B6DG



BOLTS 4-M4×45(4-M4×1.77) Standard type
4-M4 DEPTH 6MAX.(4-M4 DEPTH 0.236MAX.) Order made type

(WEIGHT 410g 0.9 lb)

● with 6DG TYPE GEARBOX MOTOR MODEL DME34S6HP☆, DME34B6HP☆ & GEARBOX MODEL 6DG

Model	Gear ratio		5	12.5	15	*25	*30	*50	*75	*100	150	180	250
	Rated speed	r/min	660	264	220	132	110	66	44	33	22	18.3	13.2
DME34S6HP☆ & 6DG	Rated torque	N-m	0.016	0.04	0.048	0.072	0.085	0.14	0.22	0.28	0.38	0.46	0.64
		oz-in	2.22	5.55	6.67	10.14	12.08	19.44	30.55	40.27	54.16	65.27	90.27
DME34B6HP☆ & 6DG	Rated speed	r/min	740	296	246	148	123	74	49.3	37	26	22.7	17.3
		N-m	0.047	0.12	0.14	0.22	0.26	0.42	0.64	0.85	0.98	0.98	0.98
	Rated torque	oz-in	6.67	16.66	19.44	30.55	36.11	59.71	90.27	120.82	138.87	138.87	138.87

Model	Gear ratio		300	450	*500	*750	*900	*1800
	Rated speed	r/min	11	7.6	6.9	5	4.2	2.2
DME34S6HP☆ & 6DG	Rated torque	N-m	0.76	0.98	0.98	0.98	0.98	0.98
		oz-in	108.32	138.87	138.87	138.87	138.87	138.87
DME34B6HP☆ & 6DG	Rated speed	r/min	14.8	10.3	9.2	6.3	5.3	2.7
		N-m	0.98	0.98	0.98	0.98	0.98	0.98
	Rated torque	oz-in	138.87	138.87	138.87	138.87	138.87	

DME34

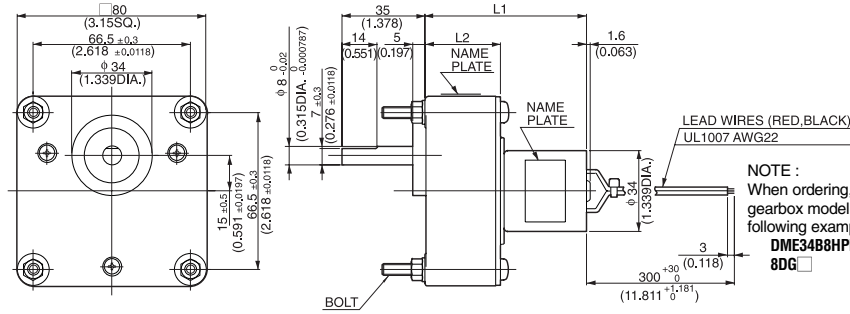
WITH GEARBOX
8DG



8DG

MODEL CODE	VOLTAGE	OUTPUT	CURRENT
SA	12V	1.3W	0.2A
SB	24V	1.3W	0.1A
BA	12V	4.5W	0.65A
BB	24V	4.5W	0.31A
KB	24V	7W	0.41A

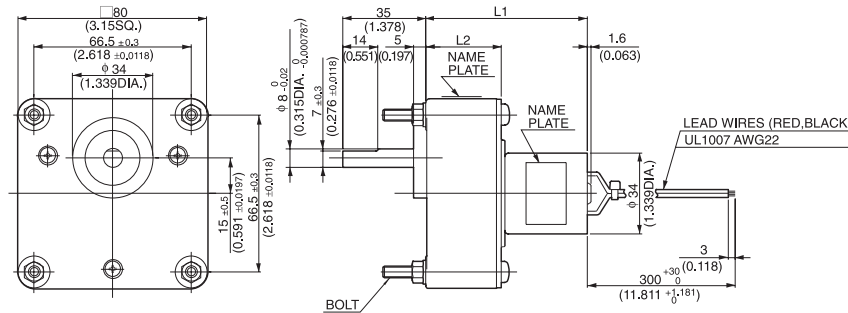
●DIMENSIONS Unit mm(inch)
DME34B8DG



NOTE :
When ordering, please write the motor model and gearbox model numbers separately, as in the following example:
DME34B8HPB (Pinion shaft motor)
8DG (Gearbox)

GEAR RATIO	L1		L2		BOLT		WEIGHT	
	(mm)	(inch)	(mm)	(inch)	(mm)	(inch)	kg	lb
30~150	68.5	2.697	32	1.26	M5X50	M5X1.969	0.61	1.34
250~1800	78.5	3.090	42	1.65	M5X60	M5X2.362	0.71	1.56

●DIMENSIONS Unit mm(inch)
DME34K8H



GEAR RATIO	L1		L2		BOLT		WEIGHT	
	(mm)	(inch)	(mm)	(inch)	(mm)	(inch)	kg	lb
30~150	78.5	3.090	32	1.26	M5X50	M5X1.969	0.75	1.65
250~1800	88.5	3.484	42	1.65	M5X60	M5X2.362	0.85	1.87

●with 8DG TYPE GEARBOX MOTOR MODEL **DME34B8HP**☆ & GEARBOX MODEL **8DG**□

Model	Gear ratio	*30	*50	*75	*100	*150	250	300	*500	*750	*1800	
												Rated speed
DME34B8HP ☆ & 8DG □	Rated torque	N-m	0.25	0.42	0.64	0.85	1.3	1.9	2.3	3.4	3.9	3.9
		oz-in	36.11	59.71	90.27	120.82	180.53	263.86	319.40	486.05	555.49	555.49
DME34K8HP ☆ & 8DG □	Rated speed	r/min	143	86.0	57.3	43.0	28.6	17.2	14.3	8.7	6.1	2.7
		Rated torque	N-m	0.32	0.53	0.80	1.0	1.6	2.4	2.9	3.9	3.9
	oz-in		45.31	75.04	113.27	141.59	226.54	339.82	410.61	555.49	555.49	555.49

NOTE
1: Enter the required reduction ratio in the □.
2: *Rotation of gearbox shaft is in reverse of rotation of motor.
3: Enter the required voltage A or B in the ☆.